

# P2000-TBC

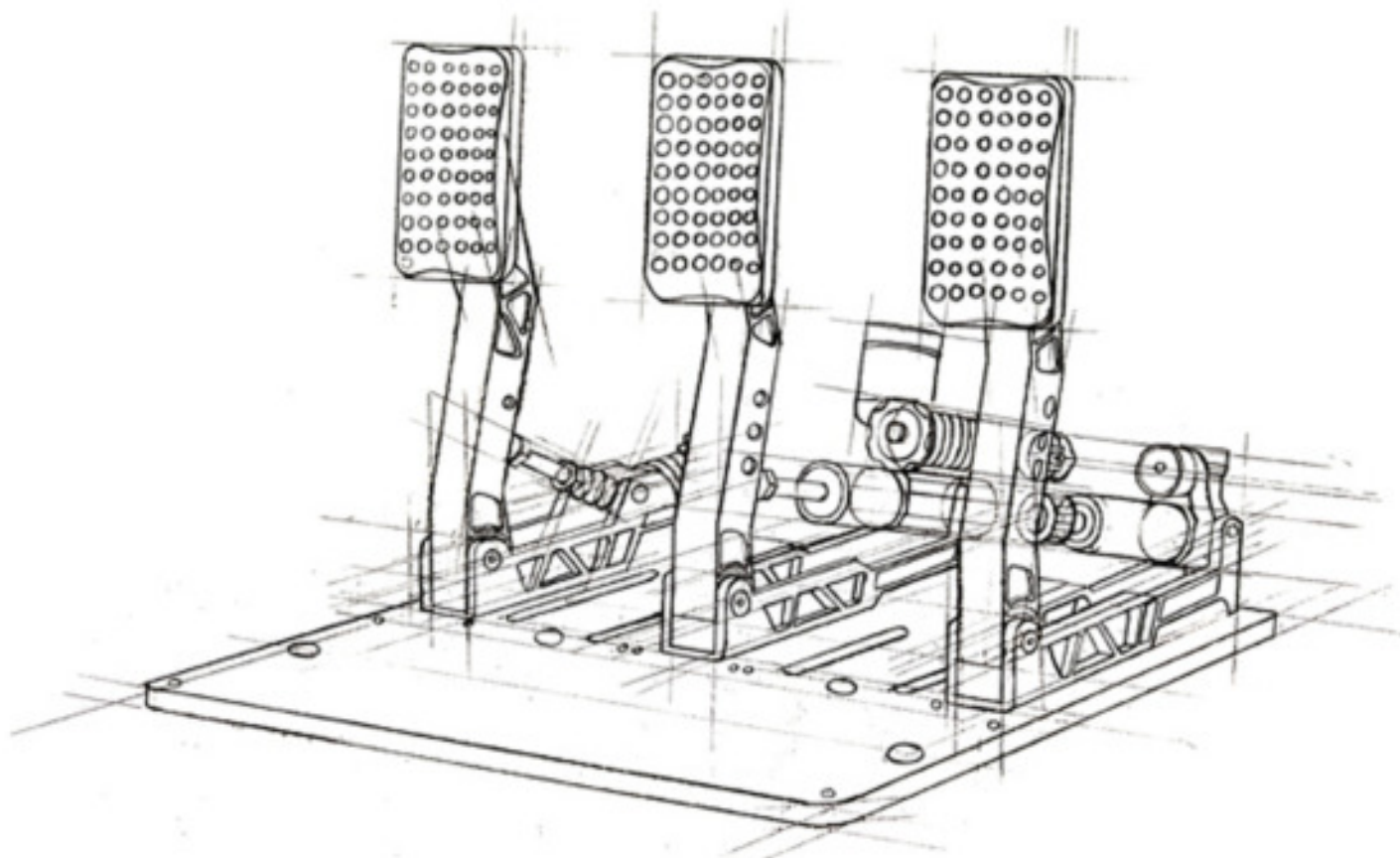
WELCOME TO THE DIRECT-DRIVE REVOLUTION



**SIMAGIC**

Developed with Professional Race Equipment Manufacturers

# TWO YEARS OF CAREFUL PREPARATION



Pressure sensing



Hydraulic conduction



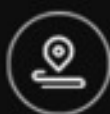
CNC manufacturing



Concave clutch design



Adjustable damping



Adjustable stroke



Optional spring



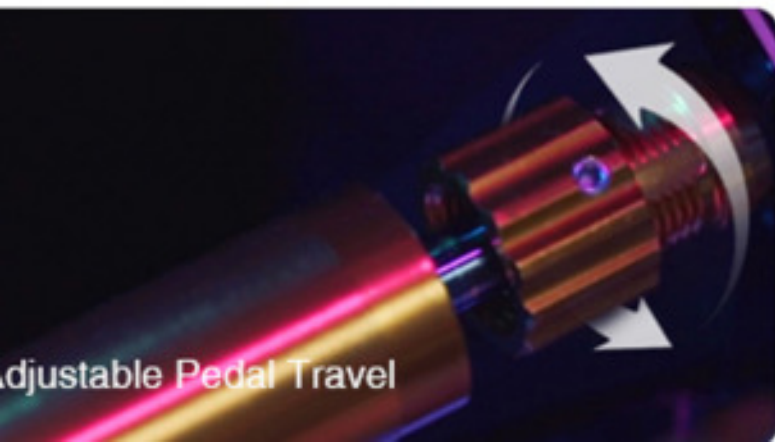
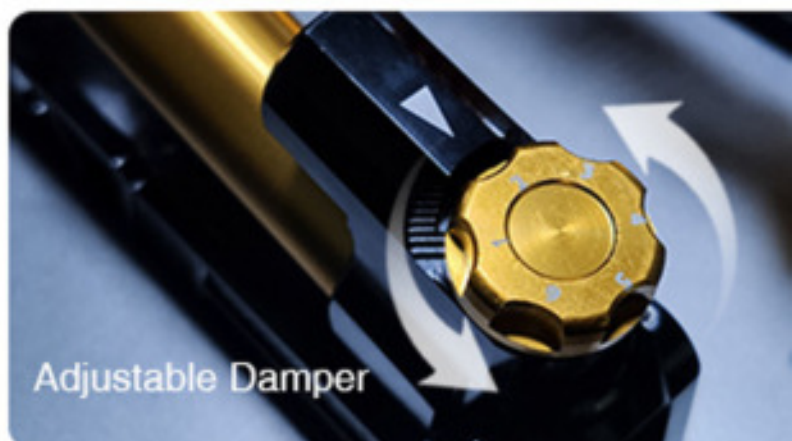
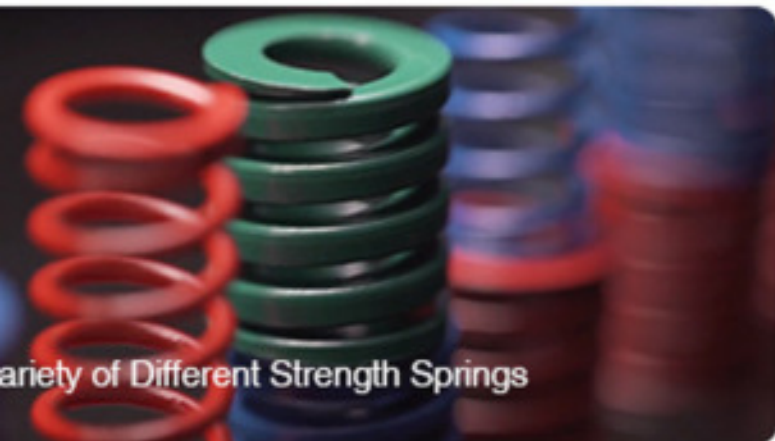
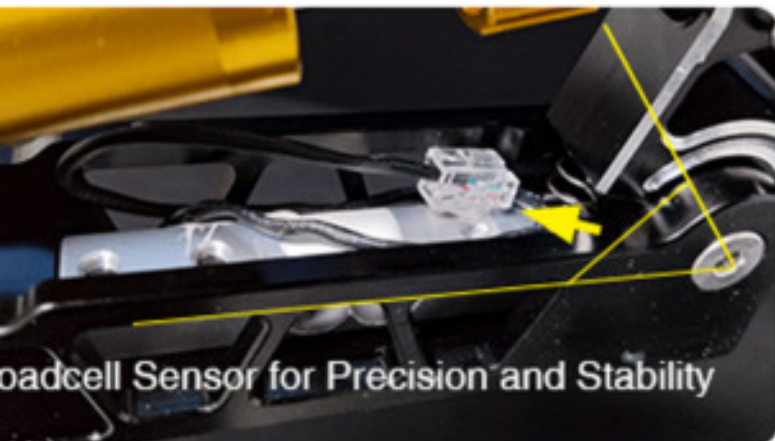
Adjustable strength



LEADING THE TREND OF SIMULATED DRIVING WITH INNOVATIVE TECHNOLOGY



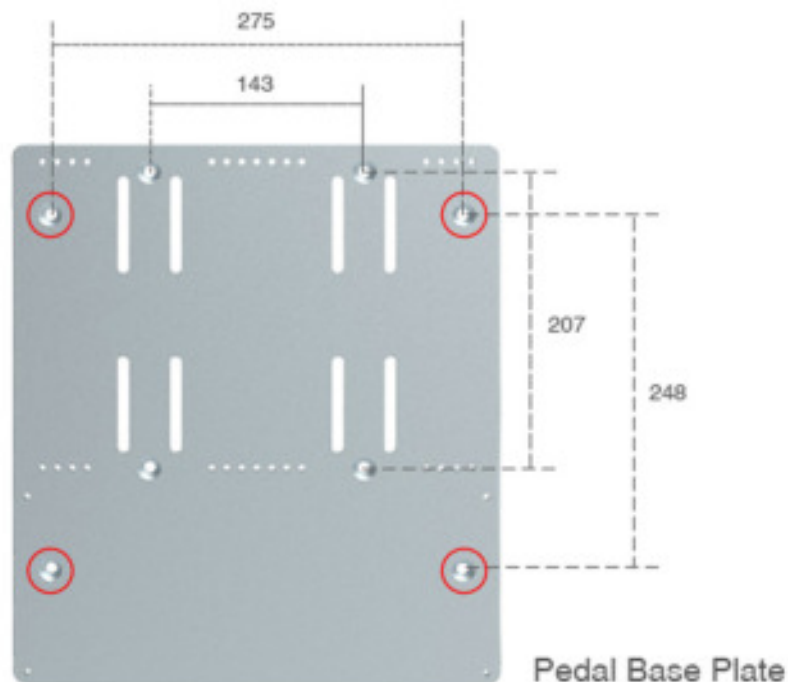
# EXQUISITE FOOT SENSE, PERFECT CONTROL



# PRODUCT DISPLAY



NO LOSS OF BEAUTY, EXTRAORDINARY QUALITY,



Four red circled screw holes are compatible with most rigs

# GOOD MATERIALS, INTEGRATED DESIGN,



Carbon Fibre  
Foot Rest Plate



Screw Pack




Accelerator Pedal



Throttle Kit

## Product Description

- \* The product images and contents shown above are for demonstration purposes only. The actual products may vary in terms of the external design (including but not limited to appearance, colors, and sizes) and the content display (including but not limited to backgrounds, UIs, and pictures) may vary slightly. Please check the actual products for reference.
- \* The test data above are all sampled from the Simagic test laboratory and may not reflect the actual performance due to conditions of use and environmental factors. Please refer to the actual usage for performance evaluation.
- \* The above contents, such as descriptions and images, are subject to changes. Simagic may adjust relevant contents to provide more accurate product information, specification, and feature description at any time based on the actual products in terms of performance, specification, index, and other information. Sometimes, the product supply may fluctuate due to unforeseen problems happening in the process of batching or delivery. In that case, Simagic may change relevant descriptions and images as needed without notification. Please refer to official channels for the latest information.

 **\* THE SIMAGIC PRODUCTS ARE DESIGNED TO SIMULATE DRIVING ACTIVITIES. PLEASE DISTINGUISH REALITY FROM SIMULATION. SAFE DRIVING IS THE FIRST PRIORITY.**

OFFICIAL WEBSITE: [WWW.SIMAGIC.COM](http://WWW.SIMAGIC.COM)  
INTERNATIONAL MEDIA PLATFORM: SIMAGIC OFFICIAL



For more sales information, please contact the official distributors in your region.