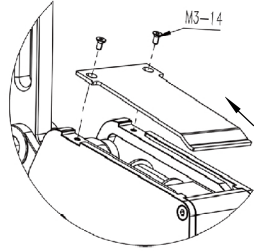
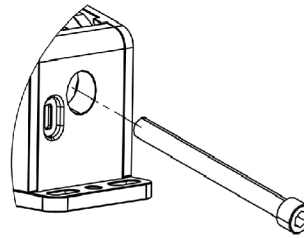


## Rubber Replacement

① Remove the front plate

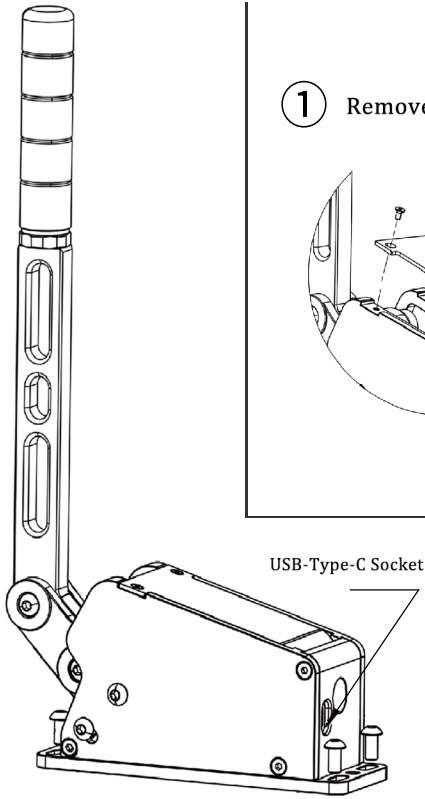
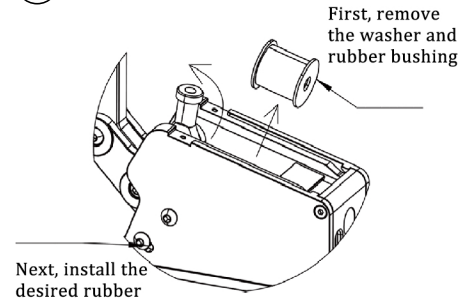


② Remove the bolt



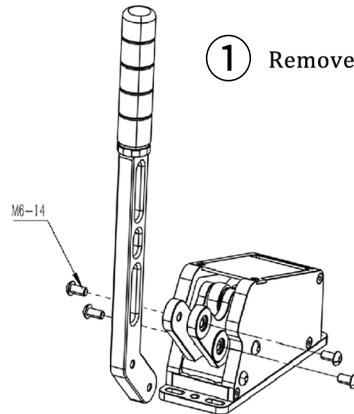
Note:  
Make sure the power is OFF during the replacement

③ Swap the rubber



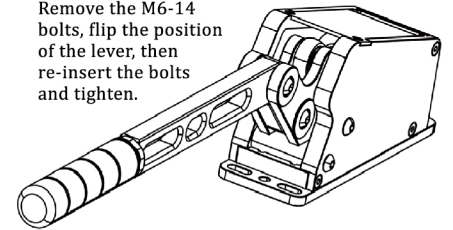
## Switching lever position

① Remove the lever



② Flip the lever

Remove the M6-14 bolts, flip the position of the lever, then re-insert the bolts and tighten.



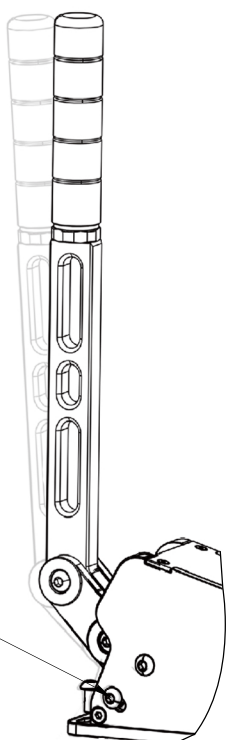
A . Button Head Socket Cap Screw M6-14 X4



B . Roll in T-Nut with Ball Spring M6-40 X4

## Adjust the lever

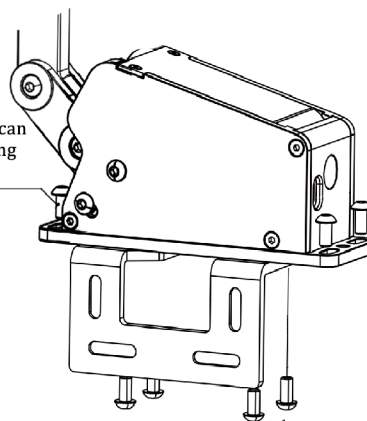
Fine-tune the angle of the lever



## Mount and Install

\* Note:  
The L-shaped mounting plate can be purchased separately \*

The handbrake can be mounted using M6-14 bolts



M6 Bolts only (Maximum length is 20mm)

Bottom View

